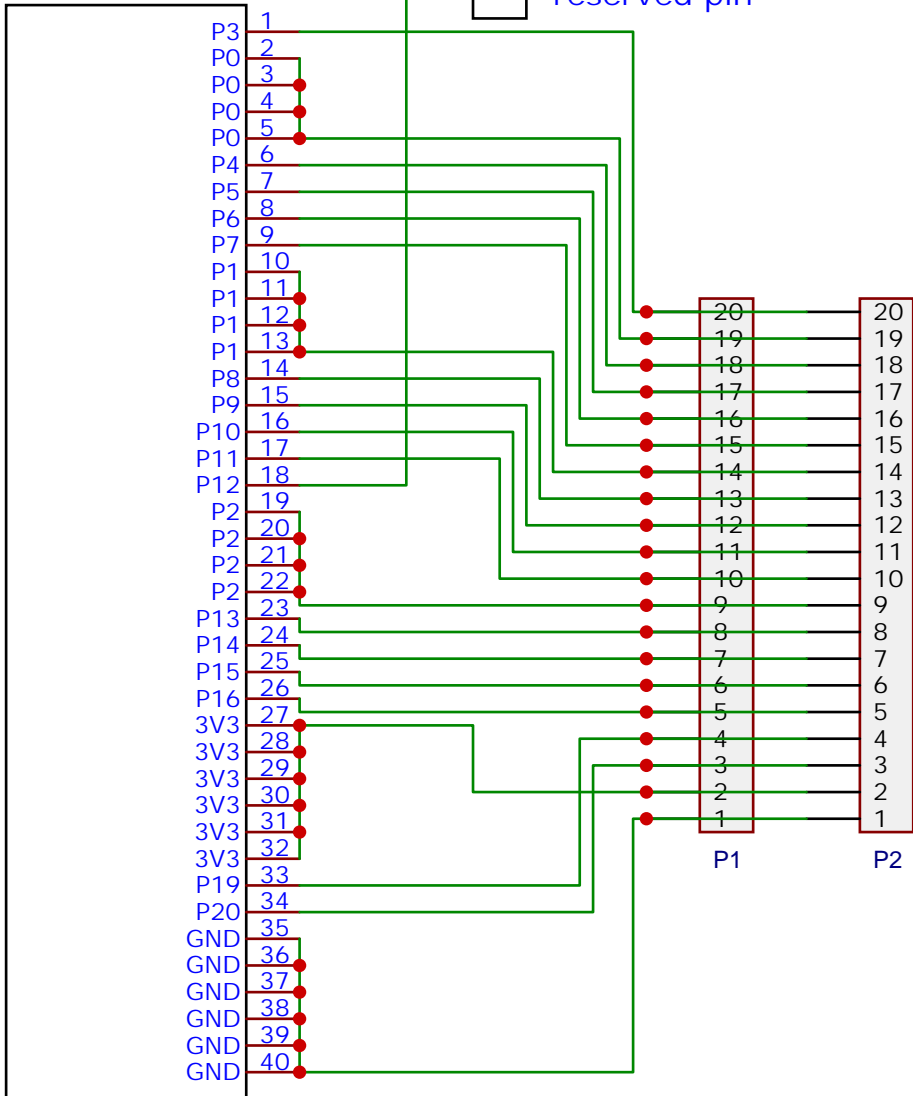


U1
MICRO:BIT 40PIN 90DEG CONNECTOR

J1
1x1 Header

1 1 reserved pin



TITLE:
micro:bit right-angle smt breakout

REV: 1.2



Company: daughter.systems

Sheet: 1/1

Date: 2020-01-16 Drawn By: Cass W